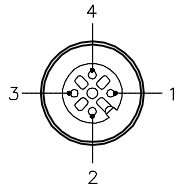
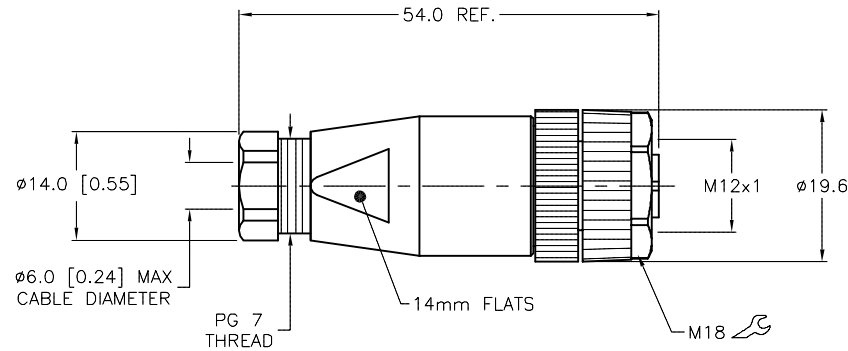


FEMALE END VIEW



SPECIFICATIONS

HOUSING MATERIAL/PLATING	PBT/CLEAR
CONTACT MATERIAL/PLATING	BRASS/NICKEL
COUPLING NUT MATERIAL/COLOR	PA/BLACK
RATED CURRENT [A]	4.0 A
RATED VOLTAGE [V]	10-30 V
LED CURRENT	14mA MAX AT 28VDC SUPPLY VOLTAGE (PER LED)
MAXIMUM WIRE SIZE	18 AWG
CABLE GRIP RANGE	4-6mm
TEMPERATURE RATING	-40°C to +85°C (-40°F to +185°F)
PROTECTION CLASS	IEC IP67
TERMINATION TYPE	SCREW TERMINAL



SOURCE DRAWING - FOR REFERENCE ONLY

RELATED DOCUMENTS 1. 2. 3. 4.	3RD ANGLE PROJECTION 	THIS DRAWING IS CONFIDENTIAL AND THE PROPERTY OF TURCK INC. USE OF THIS DOCUMENT WITHOUT WRITTEN PERMISSION IS PROHIBITED.		3000 CAMPUS DRIVE MINNEAPOLIS, MN 55441 1-800-544-7769 (763) 553-7300 (763) 553-0708 fax www.turck.us	
	MATERIAL SEE SPECIFICATIONS	ALL DIMENSIONS DISPLAYED ON THIS DRAWING ARE FOR REFERENCE ONLY	DRFT RDS APVD	DATE 06/13/08 SCALE 1=1.0	DESCRIPTION B 8141-P7X2-0
FINISH SEE SPECIFICATIONS	CONTACT TURCK FOR MORE INFORMATION	UNIT OF MEASUREMENT MILLIMETER [INCH]		IDENTIFICATION NO. U6426	REV B
B UPDATE COUPLING NUT RDS 08/07/18 66283	REV DESCRIPTION BY DATE ECO NO.	DO NOT SCALE THIS DRAWING		FILE: U6426	SHEET 1 OF 1